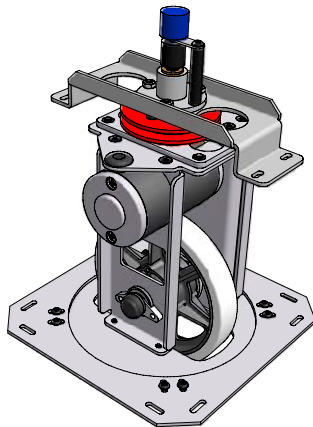
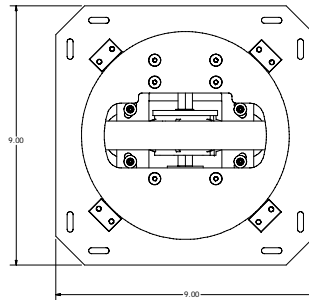


SECTION B-B  
SCALE .6



AM GEAR SELECTION AND RATIOS						
DATA ASSUMES TWO CIM MOTORS AT 1/2 FREE SPEED						
Gear Teeth		Ratio	Wheel RPM	Ft/Sec		
14	35	0.40	0.03	31.89	86.24	2.26
14	50	0.28				
14	50	0.28				
14	35	0.40	0.05	21.15	130.04	3.40
14	50	0.28				
19	45	0.42				
14	35	0.40	0.07	14.88	184.80	4.84
14	50	0.28				
24	40	0.60				
14	35	0.40	0.10	9.87	278.67	7.29
24	40	0.60				
19	45	0.42				
14	35	0.40	0.14	6.94	396.00	10.36
24	40	0.60				
24	40	0.60				
14	35	0.40	0.19	5.36	513.33	13.43
40	24	1.67				
14	50	0.28				
14	35	0.40	0.28	3.55	774.07	20.25
40	24	1.67				
19	45	0.42				
14	35	0.40	0.40	2.50	1100.00	28.78
40	24	1.67				
24	40	0.60				
14	35	0.40	0.60	1.66	1658.73	43.40
50	14	3.57				
19	45	0.42				

Team 221 LLC.

TITLE		ITEM NO.
ws_wheel_box_revC		
MATERIAL		Dimensional Tolerance Unless Noted
QUANTITY	DATE	2 PL. ±0.01
	5/15/2009	3 PL. ±0.005